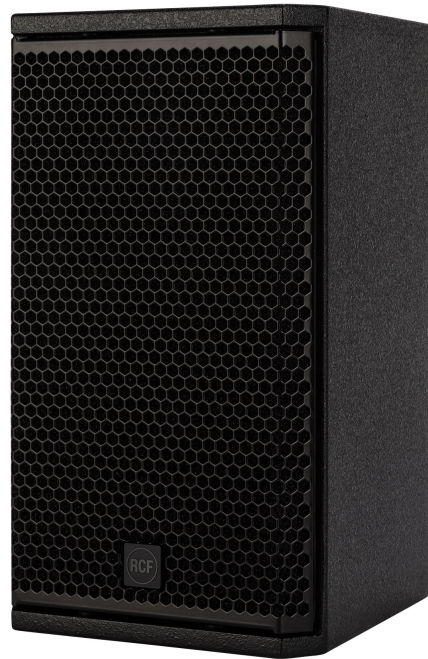


COMPACT M 06

TWO-WAY PROFESSIONAL SPEAKER

DESCRIPTION

COMPACT M 06 is a multipurpose two-way full-range speaker system, suitable for a wide range of applications. Its balanced sound is a big asset in near-field applications for the best intelligibility. The M 06 features high sensitivity, typical of professional audio cabinets thanks to the use of oversized magnets and a HI-FI sound quality, with smooth and wide frequency response, thanks to the wave-guided neodymium dome tweeter. The SPL level of low-distortion audio the M 06 can provide goes far beyond expectations of such a compact solution. The elegant and compact design with accurate finishing makes M 06 suitable for almost any environment, even with architectural constraints. Optional mounting accessories allow using M 06 on wall or ceiling installations.



FEATURES

- 100 W RMS power handling
- 116 dB max SPL
- 60 ÷ 20000 Hz frequency range
- 120° x 80° constant directivity coverage angle
- 1 x 6" high power woofer
- 1 x 1" voice coil neodymium dome tweeter
- High quality plywood cabinet
- Steel front grille with clothing
- Installation points available on rear, top and bottom panels
- 4 pole EUROBLOCK connector (audio input and parallel link output)

TECHNICAL SPECIFICATIONS

| | | |
|----------------------------------|-----------------------------|------------------------------------|
| Acoustical specifications | Frequency Response (-10dB): | 60 Hz ÷ 20000 Hz |
| | Max SPL @ 1m: | 116 dB |
| | Horizontal coverage angle: | 120° |
| | Vertical coverage angle: | 80° |
| | Directivity index Q: | 7 |
| | System Sensitivity: | 90 dB |
| Power section | Nominal Impedance: | 8 ohm |
| | Power Handling: | 100 W RMS |
| | Peak Power Handling: | 400 W PEAK |
| | Recommended Amplifier: | 200 W |
| | Protections: | Dynamic active mosfet |
| | Crossover Frequencies: | 2200 Hz |
| Transducers | Dome Tweeter: | 1.3" neo, 1.0" v.c |
| | Nominal Impedance: | 8 ohm |
| | Input Power Rating: | 15 W AES, 30 W PROGRAM POWER |
| | Sensitivity: | 92 dB, 1W @ 1m |
| | Woofer: | 6.0", 1.5" v.c |
| | Nominal Impedance: | 8 ohm |
| | Input Power Rating: | 100 W AES, 200 W PROGRAM POWER |
| Sensitivity: | 90 dB, 1W @ 1m | |
| Input/Output section | Input connectors: | Euroblock |
| | Output connectors: | Euroblock |
| Standard compliance | CE marking: | Yes |
| Physical specifications | Cabinet/Case Material: | Plywood |
| | Hardware: | 4 x M6, 2 x M8 |
| | Grille: | Steel with clothing |
| | Color: | Black - RAL 9005, White - RAL 9003 |
| Size | Height: | 365 mm / 14.37 inches |
| | Width: | 211 mm / 8.31 inches |
| | Depth: | 232 mm / 9.13 inches |
| | Weight: | 5.5 kg / 12.13 lbs |
| Shipping informations | Package Height: | 386 mm / 15.2 inches |
| | Package Width: | 256 mm / 10.08 inches |
| | Package Depth: | 235 mm / 9.25 inches |
| | Package Weight: | 7 kg / 15.43 lbs |



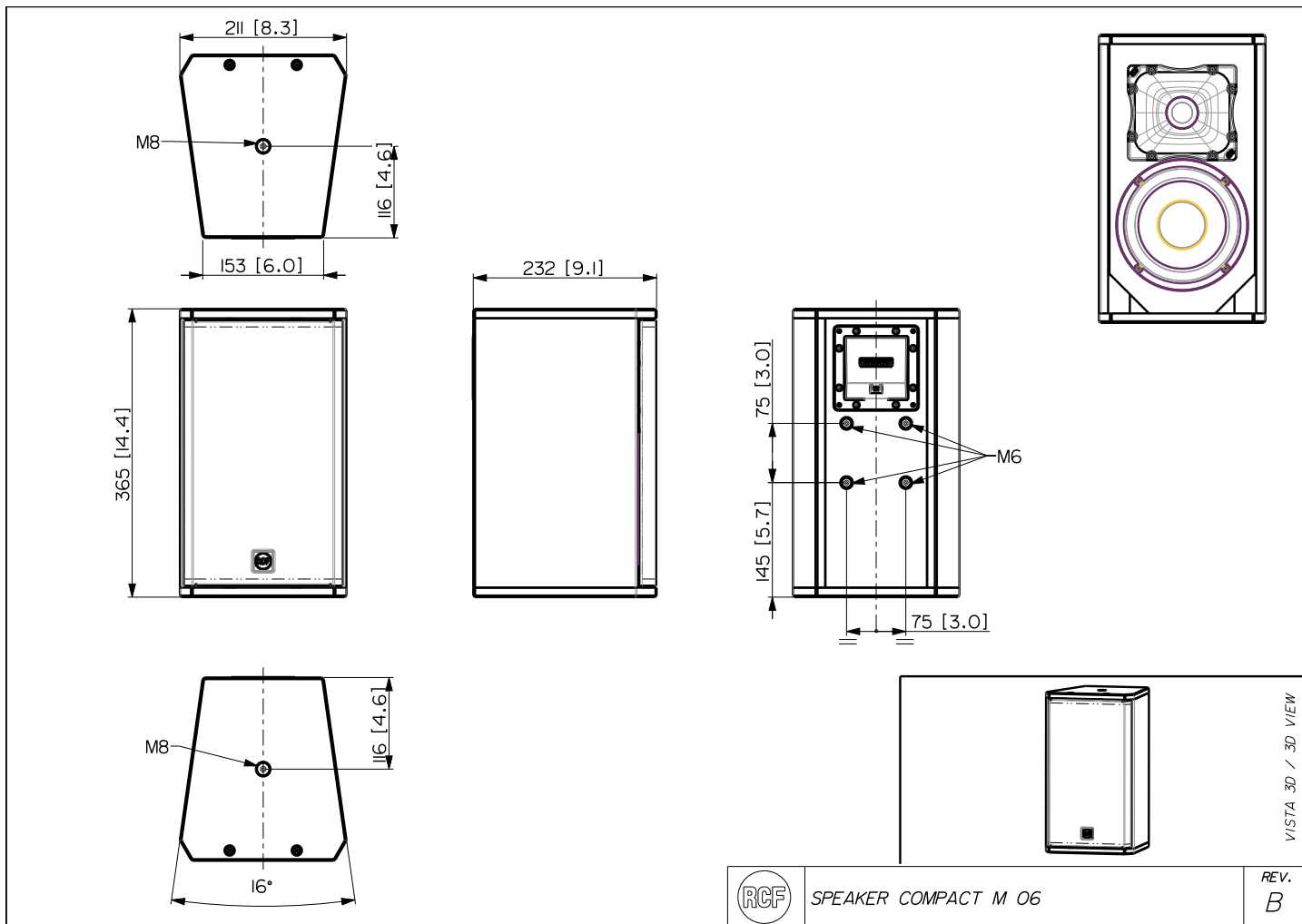
PART NUMBER

- **13000721**

COMPACT M 06 W
White - RAL 9003

- **13000582**

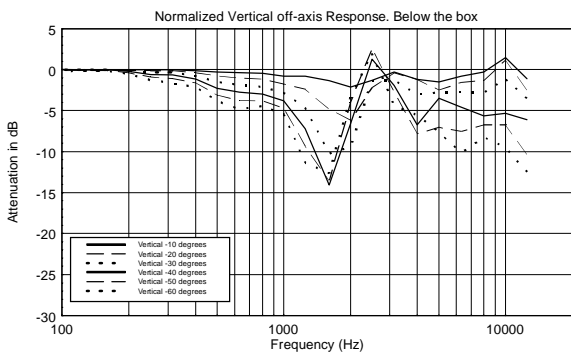
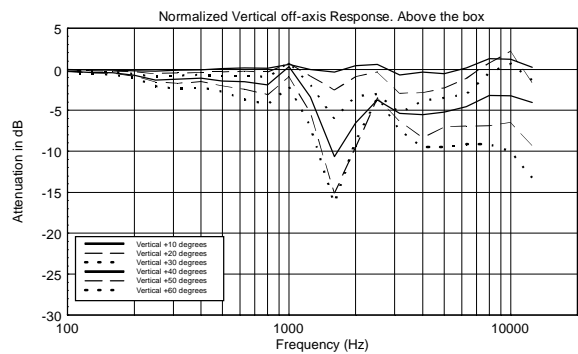
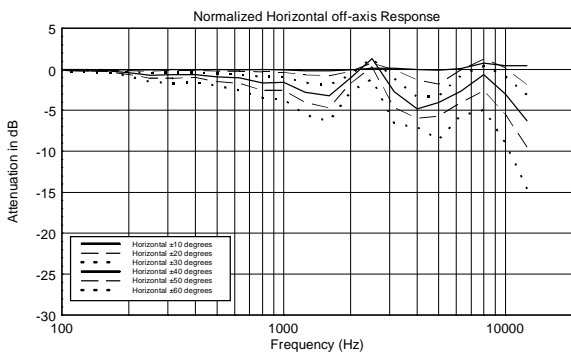
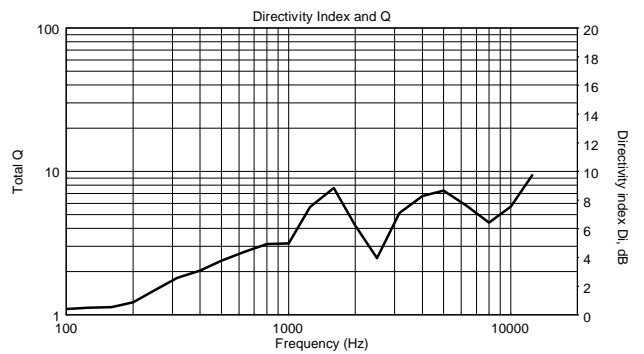
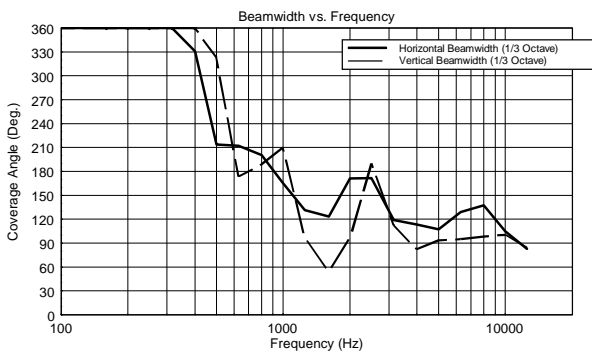
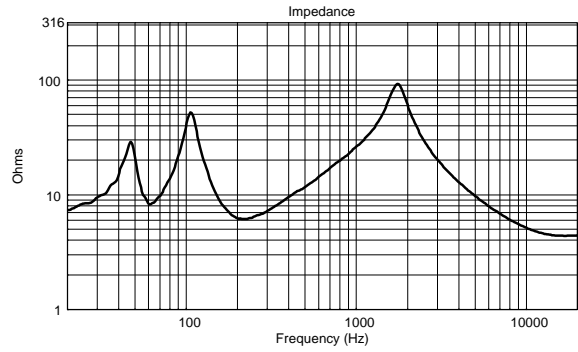
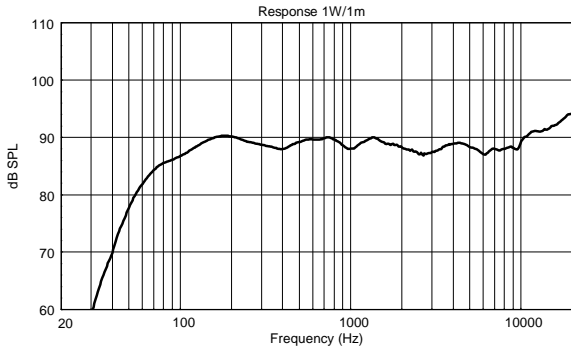
COMPACT M 06
Black - RAL 9005
EAN 8024530017781



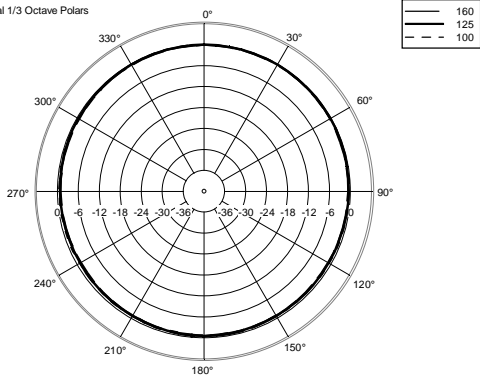
SPEAKER COMPACT M 06

REV.
B

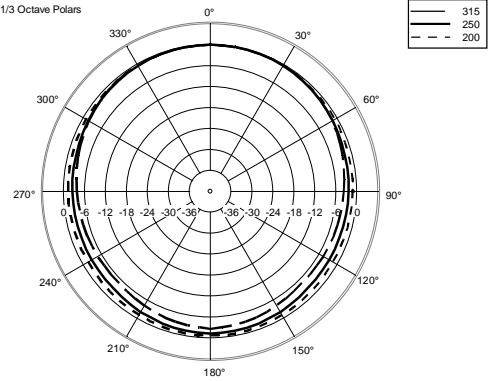
VISTA 3D / 3D VIEW



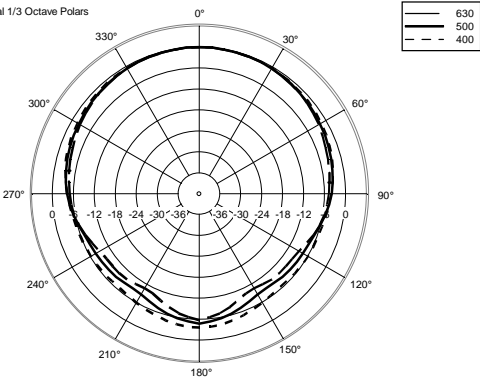
Horizontal 1/3 Octave Polars



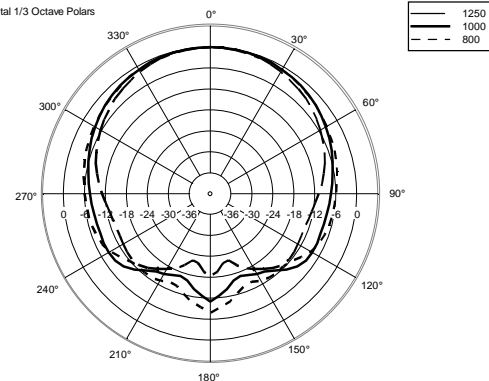
Horizontal 1/3 Octave Polars



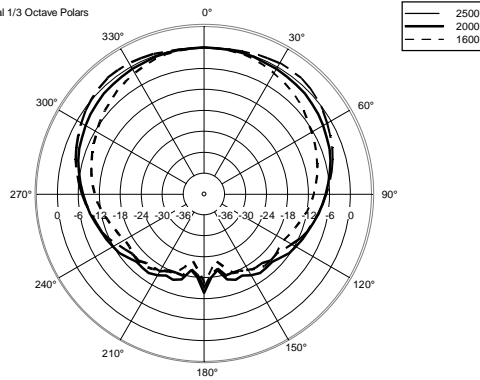
Horizontal 1/3 Octave Polars



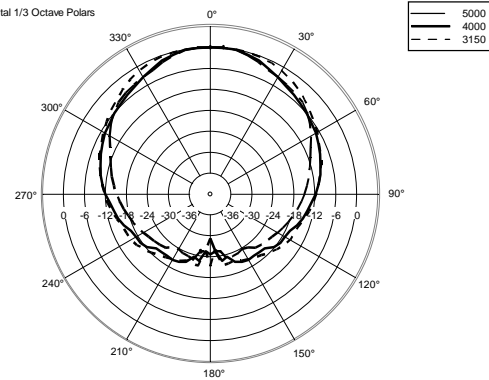
Horizontal 1/3 Octave Polars



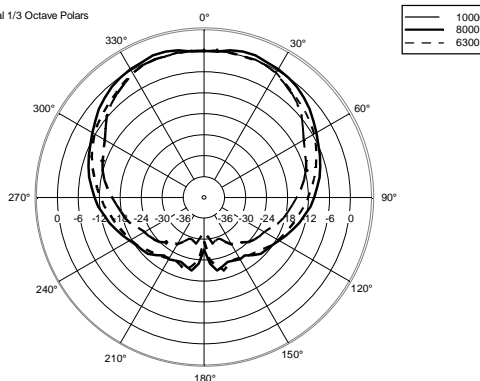
Horizontal 1/3 Octave Polars



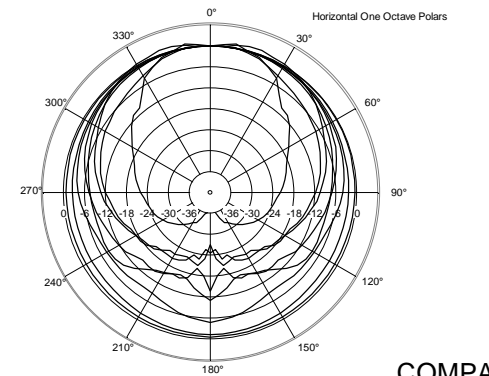
Horizontal 1/3 Octave Polars

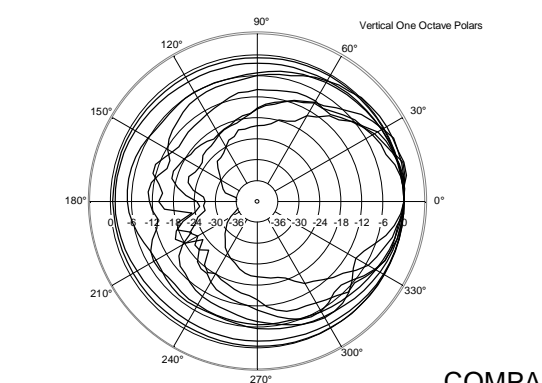
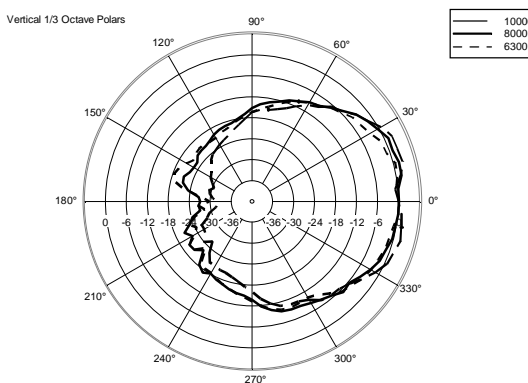
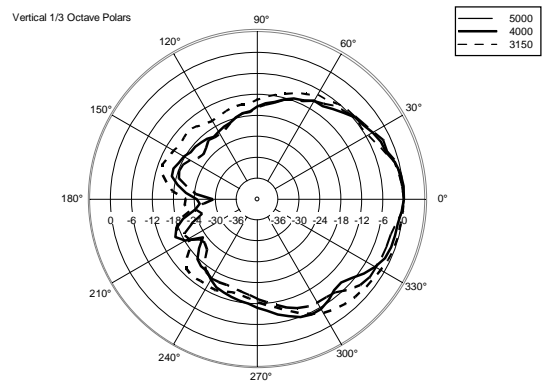
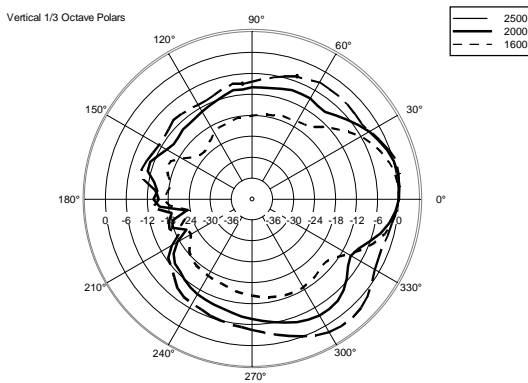
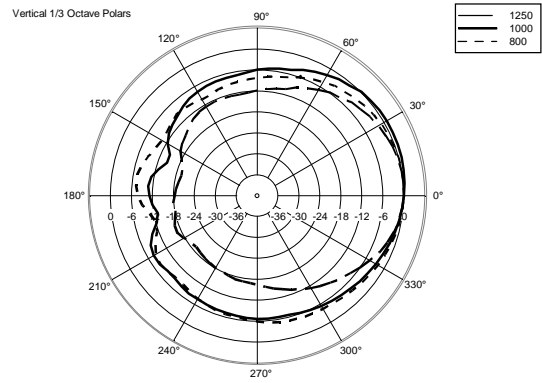
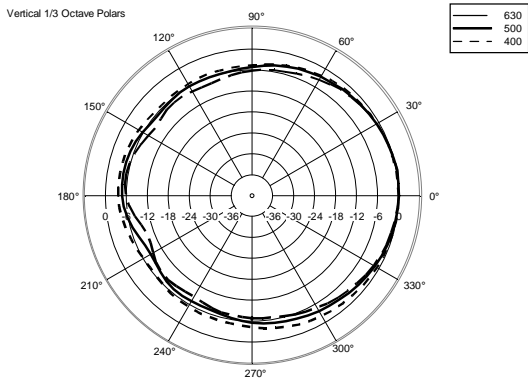
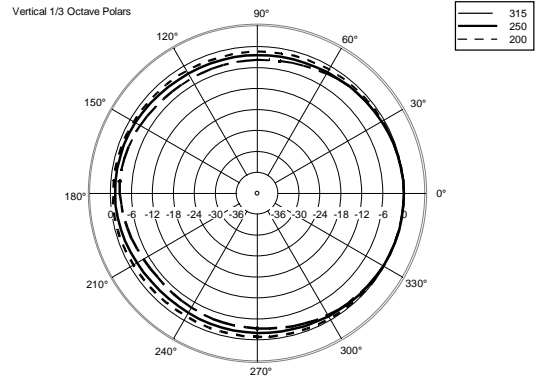
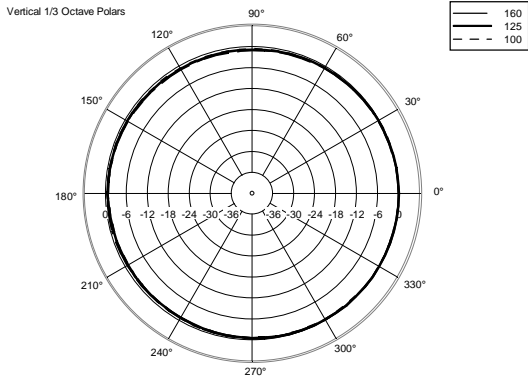


Horizontal 1/3 Octave Polars



Horizontal One Octave Polars





ACCESSORIES

HORIZ. BRACKET H-BR 2X COMPACT M 06

PART NUMBER **13360461**
EAN: 8024530018825

HORIZ. BRACKET H-BR 2X COMPACT M 06 W

PART NUMBER **13360470**
EAN:

PANEL PNL IN-OUT SPEAKON

PART NUMBER **12399062**
EAN: 8024530018733

WALL MOUNT BRACKET SWM-BR COMPACT M

PART NUMBER **13360449**
EAN: 8024530017842

WALL MOUNT BRACKET SWM-BR COMPACT M W

PART NUMBER **13360468**
EAN: 8024530018863



A&E SPECIFICATIONS

The product shall be a multipurpose two-way full-range speaker, suitable for a wide range of applications, providing a balanced sound in near-field applications to get the best intelligibility.

It shall feature high sensitivity, typical of professional audio cabinets having oversized magnets and a Hi-Fi sound quality, with smooth and wide frequency response, thanks to a wave-guided neodymium dome tweeter.

Its design shall be elegant and compact with accurate finishing, suitable for almost any environment, even with architectural constraints.

Optional mounting accessories shall be available for wall or ceiling installations.
